



Undercounter & Food Prep Tables Installation & Operation Manual

Please read this manual completely before attempting to install or operate this equipment!



IMPORTANT SAFETY INSTRUCTIONS (SAVE THESE INSTRUCTIONS)

Visit us on the web at www.daeyeong.co.kr

RECEIVING AND INSPECTING THE EQUIPMENT

Even though most equipment is shipped crated, care should be taken during unloading so the equipment is not damaged while being moved into the building.

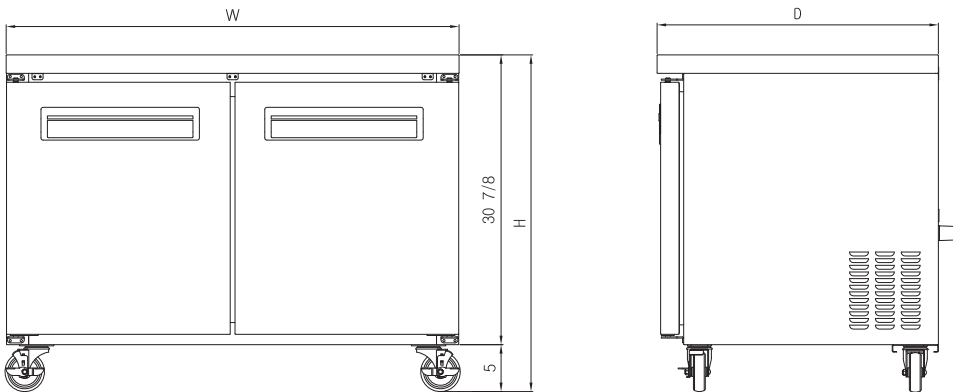
1. Visually inspect the exterior of the package and skid or container. Any damage should be noted on the delivery slip and reported to MVP Group immediately at 1-888-275-4538; 514-737-9701.
2. If damaged, open and inspect the contents with the carrier.
3. **WITHIN 48 HOURS OF RECEIPT** : In the event that the exterior is not damaged, yet upon opening, there is concealed damage to the equipment, notify MVP Group immediately at 1-888-275-4538; 514-737-9701.
4. Be certain to check the compressor compartment housing and visually inspect the refrigeration package. Be sure lines are secure and base is still intact.
5. Retain all crating material until an inspection has been made or waived.

CONTENTS

◆ Specifications	3
◆ Serial Number	9
◆ Installation	9
◆ Cleaning	10
◆ Caution	10
◆ Operation	11
◆ Trouble-Shooting	12
◆ Installing Castors	13

SPECIFICATIONS

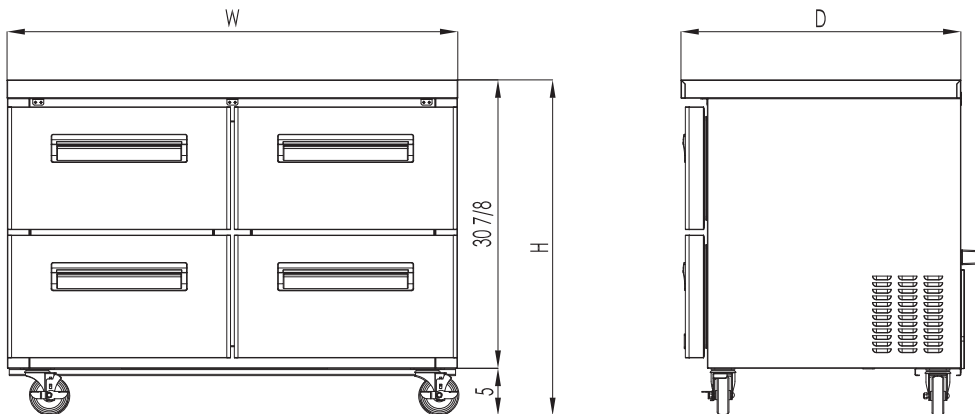
Product	Undercounter Refrigerator					
Model	LUCR27	LUCR36	LUCR48	LUCR60	LUCR72	
Capacity(cu.ft)	7	9.5	13.1	16.7	20.2	
Exterior Dimensions (Including 4" Casters) [in]	W	27 1/2	36 3/8	48 3/8	60 3/8	72 3/8
	D	30	30	30	30	30
	H	35 7/8	35 7/8	35 7/8	35 7/8	35 7/8
Net Weight (lbs)	132	157	181	212	247	
Type of refrigeration system	Indirect cooling (Fan blowing)					
Control	MECHANICAL THERMOSTAT					
Number of Shelves	2	4	4	4	6	
Number of Doors	1	2	2	2	3	
Rated Voltage	115V/60Hz					
Type of Power Cord	NEMA 5-15					
Amps	3.3	3.5	3.5	5.5	6.0	
Compressor(HP)	1/5	1/5	1/5	1/3	1/3	
R-134a Refrigerant (oz)	3.88	3.88	4.58	4.93	5.29	
Operating Range	33°F ~ 41°F					



- ◆ Specifications and Designs are subject to change without notice.
- ◆ The rating plate (including Serial No.) is located on the upper left side of the cabinet interior.

SPECIFICATIONS

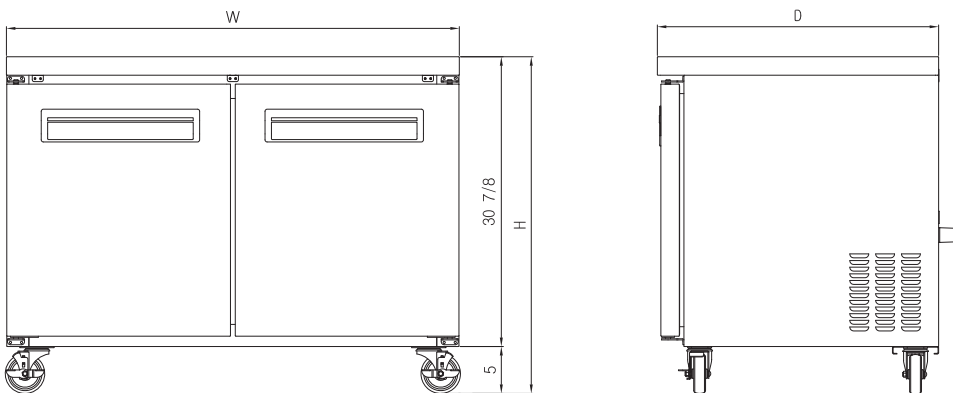
Product	Undercounter Drawer Refrigerator			
Model	LUCR27-D2	LUCR48-D4	LUCR60-D4	LUCR72-D6
Capacity(cu.ft)	7	13.1	16.7	20.2
Exterior Dimensions (Including 4" Casters) [in]	W	27 1/2	48 3/8	60 3/8
	D	30		
	H	35 7/8	35 7/8	35 7/8
Net Weight (lbs)	145	237	277	331
Type of refrigeration system	Indirect cooling (Fan blowing)			
Control	THERMOSTAT			
Number of Drawers	2	4	4	6
Rated Voltage	115V/60Hz			
Type of Power Cord	NEMA 5-15			
Amps	3.3	3.5	5.5	6.0
Compressor(HP)	1/5	1/5	1/3	1/3
Refrigerant (oz)	3.88	4.58	4.93	5.29
Range of Temperature	33°F ~ 41°F			



- ◆ Specifications and Designs are subject to change without notice.
- ◆ The name plate (including Serial No.) is located on the upper left side of the cabinet interior.

SPECIFICATIONS

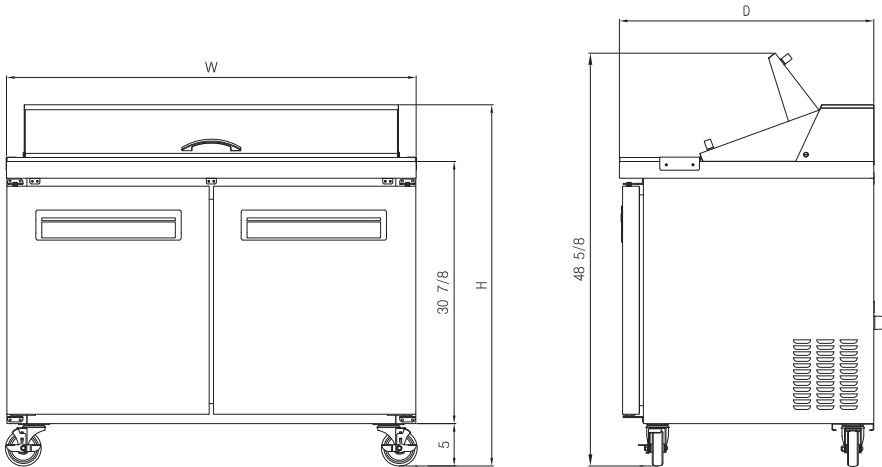
Product	Undercounter Freezer					
Model	LUCF27	LUCF36	LUCF48	LUCF60	LUCF72	
Capacity(cu.ft)	7	9.5	13.1	16.7	20.2	
Exterior Dimensions (Including 4" Casters) [in]	W	27 1/2	36 3/8	48 3/8	60 3/8	72 3/8
	D	30	30	30	30	30
	H	35 7/8	35 7/8	35 7/8	35 7/8	35 7/8
Net Weight (lbs)	139	165	190	223	256	
Type of refrigeration system	Indirect cooling (Fan blowing)					
Control	MECHANICAL THERMOSTAT					
Number of Shelves	2	4	4	4	6	
Number of Doors	1	2	2	2	3	
Rated Voltage	115V/60Hz					
Type of Power Cord	NEMA 5-15					
Amps	5.0	5.2	6.0	7.7	7.7	
Compressor(HP)	1/3	2/5	2/5	1/2	1/2	
Refrigerant (oz)	5.29 (R-134a)	8.81 (R-404A)	9.52 (R-404A)	12.34 (R-404A)	14.1 (R-404A)	
Operating Range	-3°F to -7°F or 5°F to -9.4°F					



- ◆ Specifications and Designs are subject to change without notice.
- ◆ The rating plate (including Serial No.) is located on the upper left side of the cabinet interior.

SPECIFICATIONS

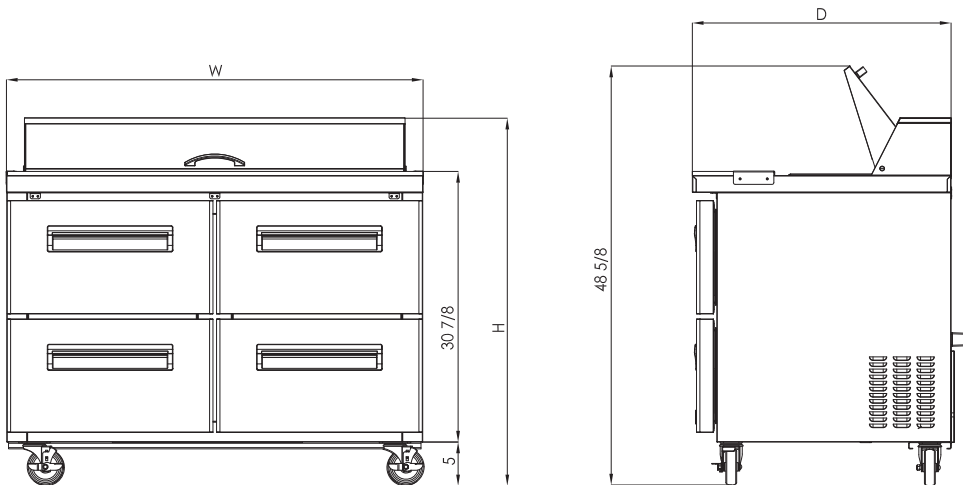
Product	Salad Table unit					
Model	LST27	LST36	LST48	LST60	LST72	
Capacity(cu.ft)	7	9.5	13.1	16.7	20.2	
Exterior Dimensions (Including 4" Casters) [in]	W	27 1/2	36 3/8	48 3/8	60 3/8	72 3/8
	D	30	30	30	30	30
	H	42 1/2	42 1/2	42 1/2	42 1/2	42 1/2
Net Weight (lbs)	146	176	214	236	273	
Type of refrigeration system	Indirect cooling (Fan blowing)					
Control	MECHANICAL THERMOSTAT					
Number of Shelves	1	2	2	2	3	
Number of Doors	1	2	2	2	3	
4" Deep PE Pans	8	10	12	16	18	
Cutting Board	9 3/8 X 27 1/2	9 3/8 X 36 3/8	9 3/8 X 48 3/8	9 3/8 X 60 3/8	9 3/8 X 72 3/8	
Rated Voltage	115V/60Hz					
Type of Power Cord	NEMA 5-15					
Amps	3.3	3.5	5.5	5.5	6.0	
Compressor(HP)	1/5	1/5	1/3	1/3	1/3	
R-134a Refrigerant (oz)	4.23	4.93	5.29	5.64	6.34	
Operating Range	33°F ~ 41°F					



- ◆ Specifications and Designs are subject to change without notice.
- ◆ The rating plate (including Serial No.) is located on the upper left side of the cabinet interior.

SPECIFICATIONS

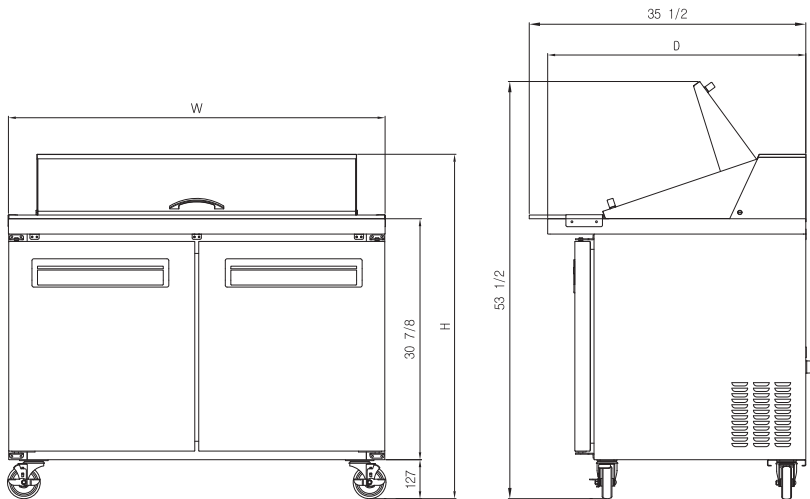
Product	Salad Drawer Table unit			
Model	LST27-D2	LST48-D4	LST60-D4	LST72-D6
Capacity(cu.ft)	7	13.1	16.7	20.2
Exterior Dimensions (Including 4" Casters) [in]	W	27 1/2	48 3/8	60 3/8
	D	30		
	H	35 7/8	35 7/8	35 7/8
Net Weight (lbs)	158	267	298	353
Type of refrigeration system	Indirect cooling (Fan blowing)			
Control	THERMOSTAT			
Number of Drawers	2	4	4	6
Rated Voltage	115V/60Hz			
Type of Power Cord	NEMA 5-15			
Amps	3.3	3.5	5.5	6.0
Compressor(HP)	1/5	1/5	1/3	1/3
Refrigerant (oz)	3.88	4.58	4.93	5.29
Range of Temperature	33°F ~ 41°F			



- ◆ Specifications and Designs are subject to change without notice.
- ◆ The name plate (including Serial No.) is located on the upper left side of the cabinet interior.

SPECIFICATIONS

Product	Mega TopTable unit					
Model	LMT27	LMT36	LMT48	LMT60	LMT72	
Capacity(cu.ft)	7	9.5	13.1	16.7	20.2	
Exterior Dimensions (Including 4" Casters) [in]	W	27 1/2	36 3/8	48 3/8	60 3/8	72 3/8
	D	33 1/8 (Including cutting board 35 1/2)				
	H	44 1/4	44 1/4	44 1/4	44 1/4	44 1/4
Net Weight (lbs)	165	196	234	256	293	
Type of refrigeration system	Indirect cooling (Fan blowing)					
Control	MECHANICAL THERMOSTAT					
Number of Shelves	1	2	2	2	3	
Number of Doors	1	2	2	2	3	
4" Deep PE Pans	12	15	18	24	27	
Cutting Board	9 3/8 X 27 1/2	9 3/8 X 36 3/8	9 3/8 X 48 3/8	9 3/8 X 60 3/8	9 3/8 X 72 3/8	
Rated Voltage	115V/60Hz					
Type of Power Cord	NEMA 5-15					
Amps	3.3	3.5	5.5	5.5	6.0	
Compressor(HP)	1/5	1/5	1/3	1/3	1/3	
R-134a Refrigerant (oz)	4.23	4.93	5.29	5.64	6.34	
Range of Temperature	33°F ~ 41°F					



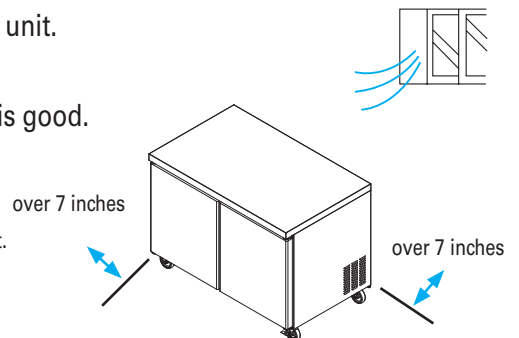
- ◆ Specifications and Designs are subject to change without notice.
- ◆ The rating plate (including Serial No.) is located on the upper left side of the cabinet interior.

Serial number

The serial number is located on the rating label which is on the left interior wall.
Please retain the unit's serial number for service purposes.

INSTALLATION

- 1. GOOD AIR CIRCULATION** - Inside and Outside the Unit
 - Make sure to avoid any object which will interrupt or block the air flow inside the unit.
 - Make sure to leave enough space toward the interior rear wall to ensure good air circulation
 - Make sure to keep 7 inches space at the rear and sides of the unit.
- 2. PLACE ON SOLID SURFACE**
 - A fully loaded unit can weigh over 1,000 pounds.
- 3. DO NOT PLACE NEAR HEAT SOURCE**
 - Make sure to avoid hot corner or any location near stove, oven, or other heat source.
 - High ambient temperature will cause cooling efficiency to drop.
- 4. INDOOR USAGE ONLY**
 - This equipment is intended for indoor use only.
- 5. STABILIZING**
 - Make sure the unit is installed on a solid surface with the front wheels locked while in use.
- 6. LEVELING**
 - Make sure that the unit is leveled well from front to back and side to side.
- 7. Unit should be connected to a dedicated electrical circuit.**
 - Do not use extension cords.
 - Plug the unit to a dedicated electrical circuit & adequate capacity.
- 8. Install plastic condensate pan in the bottom of the unit.**
 - Make sure pads are installed upwards and drain hose is in pan.
- 9. Install the unit in a place where the air circulation is good.**
 - Maintain enough spaces around the unit since air to ensure the best cooling performance
 - If air circulation is obstructed, then cooling performance will drop, thus consuming more electricity as a result.



※ Reference

- If a door for left hand is necessary, please contact the sales representative in your area.
- A set of door & Door hinge can be purchased separately to convert between Right Hand and Left Hand side

CLEANING



WARNING -To reduce the risk of electric shock, unplug before cleaning or servicing.

1. CLEANING THE INTERIOR AND EXTERIOR

- The interior and exterior of the unit can be cleaned using warm water with soap.
- Do not use an abrasive cleaner because it will scratch the surface.

2. CLEANING THE GASKET

- The door gasket should be cleaned frequently to maintain proper sealing.
Use warm water and a mild soap.

3. CLEANING THE EVAPORATOR

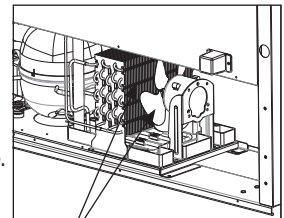
- The condenser coil must be cleaned a minimum of every 90 days or more frequently if there is a large accumulation of dust.
- Clean the condenser coil with a soft brush or a vacuum. Brush only in the direction of the fins.
- If using compressed air, always blow the air from top to bottom and never from left to right to avoid bending the fins.
- If there is a buildup of grease or you cannot remove the dust, call for service. This is not a warranty issue.

4. CHECK AFTER CLEANING

- Check the unit again for safety.
- Check if the unit is operating properly.

5. CONDENSER CLEANING

- ① Disconnect power to unit
- ② Take off rear cover at the bottom by removing screws.
- ③ Clean off accumulated dirt from condensing coil and fan blades with a soft brush.
Make sure to brush in the direction of the fins and not across them to avoid any damage.
- ④ After brushing condenser coil, vacuum dirt from coil and interior floor.
- ⑤ Reinstall rear cover onto unit. Tighten all screws.
- ⑥ Connect unit to power and check to see if compressor is running.



Condensing coil & fan blades

Caution

1. POWER CORD

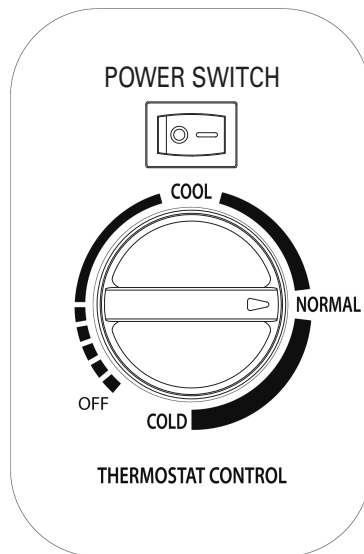
- Make sure the power cord is connected to the proper voltage.
- Compressor warranties are void if compressor burns out due to improper voltage.
- A protected circuit of the correct voltage and amperage must be used for connection of the power cord.
- Turn 'off' the power switch before disconnecting the power cord whenever performing maintenance functions or cleaning the refrigerated cabinet.
- If the power cord of the unit is damaged, it should be replaced by an authorized service agent.

2. RE-STARTING

- If disconnected, wait 5 minutes before re-starting.

Operation

1. The temperature controller(thermostat) is located on the upper left of the back side of the cabinet interior.
2. The controller has been preset to "NORMAL" at the factory.
3. Set the control-knob toward "COOL" for higher temperature and "COLD" for lower temperature.



4. The thermostat controls compressor's ON/OFF by sensing inside temperatures of cabinet.
5. LUCR, LST, LMT Series : Off-cycle defrost
LUCF Series : Heating defrost
6. When turning it off, use the POWER SWITCH on top.

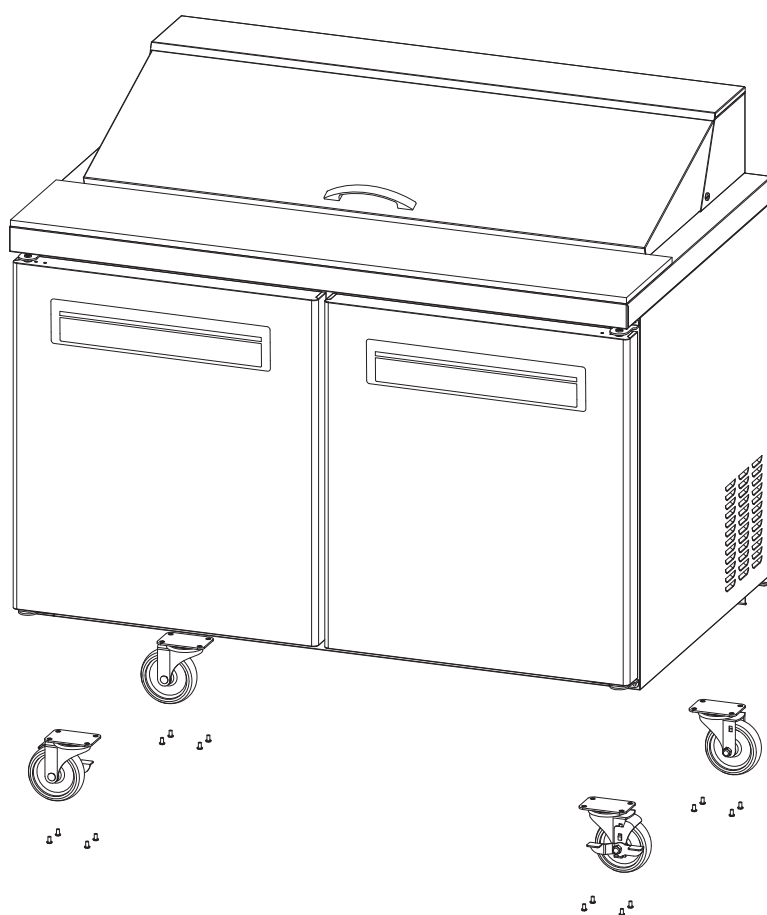
Trouble-Shooting

Problem	Possible Cause	Action
Compressor not working	Power connection failure	Check Power Cord and plug it in
	Power switch is in off position	Change it on position
The unit does not refrigerate well	Temperature set point is too high	Correct temperature set point
	The door is opened too frequently	-
	Loading of too much warm or moist product	-
	Not enough ventilation	Move the unit in a well ventilated place with at least 7 Inches of clearance on all sides
	Condenser is clogged	Clean it
Condensation on cabinet exterior	High humidity can cause surface condensation. Also, make sure that the door seals are clean and in good condition.	Wipe with cloth

- ◆ A water-flowing sound can be heard when the unit is operating. This is the sound of refrigerant flowing.

Installing Casters

1. Remove the outer packing.
2. Install the castors as illustrated.
3. Make sure that the castors with brakes are installed at the front of the unit.



MEMO

MEMO

Manufacturer : DAEYEONG E&B

ANSAN-SI, GYEONGGI-DO, REPUBLIC OF KOREA

TEL.+82-31-491-1091 FAX. +82-31-491-0325

www.daeyeong.co.kr